

# SPECTRE IP54 CCT LED DOWNLIGHT

**PRAGMALUX**  
PROFESSIONAL LIGHTING



## KEY FEATURES

- Professional LED downlight
- CCT Switchable 3000K-4000K-5700K
- UGR<22
- External LED driver
- Very quick and easy installation
- Serial connector
- Possible through-wiring
- Dimmable Fase/DALI
- IP54
- 5 year Pragmalux Warranty

IP54 IK06  650°<sub>GWT</sub> 107<sub>LM/W</sub>  CRI ≥80

**5** PRAGMALUX  
YEAR  
WARRANTY

## DETAILS



Pragmalux driver version



Reflector

## OPTIONS



## ACCESSORIES



Emergency Kit  
1000282

## SPECIFICATIONS

ITEM CODE	DESCRIPTION	W	LM	LM/W	KELVIN	INPUT CURRENT	LIFETIME L80B10
1000343-PR-DIM	LED Downlight Spectre IP54 13W 3000K-5700K 3-CCT 1120-1310lm Ø145 Fase Dim.	13	1120-1310	86-101	3000/4000/5700	0.07	50000
1000350-PR-DIM	LED Downlight Spectre IP54 18W 3000K-5700K 3-CCT 1800-1980lm Ø172 Fase Dim.	18	1800-1980	100-110	3000/4000/5700	0.09	50000
1000367-PR-DIM	LED Downlight Spectre IP54 25W 3000K-5700K 3-CCT 2500-2750lm Ø228 Fase Dim.	25	2500-2750	100-110	3000/4000/5700	0.12	50000
1000343-OS	LED Downlight Spectre IP54 10-14W 3000K-5700K 3-CCT 1050-1550lm Ø145 Osram	10-14	1050-1550	100-110	3000/4000/5700	0.25-0.35	50000
1000350-OS	LED Downlight Spectre IP54 10-20W 3000K-5700K 3-CCT 1150-2200lm Ø172 Osram	10-20	1150-2200	100-110	3000/4000/5700	0.25-0.50	50000
1000367-OS	LED Downlight Spectre IP54 10-20W 3000K-5700K 3-CCT 1150-2300lm Ø228 Osram	10-20	1150-2300	100-115	3000/4000/5700	0.25-0.50	50000
1000343-PH-DA	LED Downlight Spectre IP54 14W 3000K-5700K 3-CCT 1450-1550lm Ø145 Philips DALI	14	1450-1550	100-110	3000/4000/5700	0.35	50000
1000350-PH-DA	LED Downlight Spectre IP54 18W 3000K-5700K 3-CCT 2100-2200lm Ø172 Philips DALI	18	2100-2200	100-110	3000/4000/5700	0.45	50000
1000367-PH-DA	LED Downlight Spectre IP54 20W 3000K-5700K 3-CCT 2200-2300lm Ø228 Philips DALI	20	2200-2300	100-115	3000/4000/5700	0.50	50000

## TECHNICAL DATA

ELECTRICAL DATA	
Voltage (V)	220-240
Frequency (Hz)	50/60
Power factor (λ)	≥0.9
Operating mode	Integrated/External LED Driver
Electrical connection	Max 3x1,5 mm <sup>2</sup> wire
Total harmonic distortion	≤ 20 %

## TEMPERATURES & OPERATING CONDITIONS

Ambient temperature	25°C
Operating temperature	-20 ~ +40°C
Storage temperature	-40 ~ +65°C

## COLORS & MATERIALS

Color ( Housing)	White RAL9016
Material ( Housing)	PC
Material ( Reflector)	PC

## CERTIFICATES & STANDARDS

Driver certificates	CE
Fixture certificates	CE
Ingress protection	IP54
Protection class	II
Protection class IK	06
Glow Wire Test ( IEC 695-2-1)	650°C
Photobiological safety group EN62778	RG0

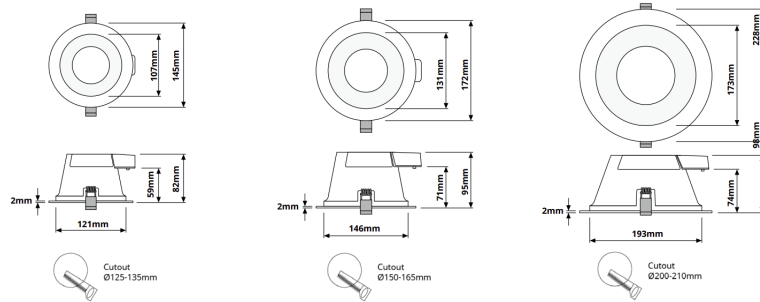
## CAPABILITIES

UGR	≤22
Dimmable	No / Triac Dim / DALI
Type of connection	Push Terminal, 3-pole
LED Module replacable	No
Installation	CCT Switchable

# SPECTRE IP54 CCT LED DOWNLIGHT

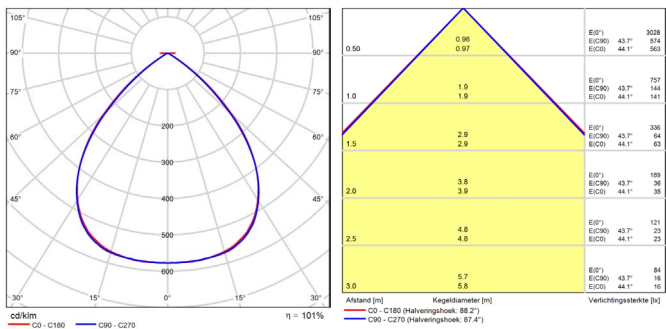
ITEM CODE	DESCRIPTION	DRIVER FAILURE RATE AT 5,000H	INRUSH CURRENT PEAK (A)	INRUSH CURRENT WIDTH (µs)	MAX. NO. OF DRIVERS ON MCB TYPE B 10A	MAX. NO. OF DRIVERS ON MCB TYPE B 16A	MAX. NO. OF DRIVERS ON MCB TYPE C 10A	MAX. NO. OF DRIVERS ON MCB TYPE C 16A
1000343-PR-DIM	LED Downlight Spectre SR IP54 13W 3000K-5700K 3-CCT 1120-1310lm Ø145 Fase Dim.	≤1%	2.18	135	83	138	83	138
1000350-PR-DIM	LED Downlight Spectre SR IP54 18W 3000K-5700K 3-CCT 1800-1980lm Ø172 Fase Dim.	≤1%	3.06	224	48	76	48	76
1000367-PR-DIM	LED Downlight Spectre SR IP54 25W 3000K-5700K 3-CCT 2500-2750lm Ø228 Fase Dim.	≤1%	4.64	224	33	53	33	53
1000343-OS	LED Downlight Spectre SR IP54 10-14W 3000K-5700K 3-CCT 1050-1550lm Ø145 Osram	≤1%	<16	100	32	50	-	-
1000350-OS	LED Downlight Spectre SR IP54 10-20W 3000K-5700K 3-CCT 1150-2200lm Ø172 Osram	≤1%	<16	100	32	50	-	-
1000367-OS	LED Downlight Spectre SR IP54 10-20W 3000K-5700K 3-CCT 1150-2300lm Ø228 Osram	≤1%	<16	100	32	50	-	-
1000343-PH-DA	LED Downlight Spectre SR IP54 14W 3000K-5700K 3-CCT 1450-1550lm Ø145 Philips DALI	≤1%	20.4	195	15	24	24	40
1000350-PH-DA	LED Downlight Spectre SR IP54 18W 3000K-5700K 3-CCT 2100-2200lm Ø172 Philips DALI	≤1%	20.4	195	15	24	24	40
1000367-PH-DA	LED Downlight Spectre SR IP54 20W 3000K-5700K 3-CCT 2200-2300lm Ø228 Philips DALI	≤1%	20.4	195	15	24	24	40

## DIMENSIONS

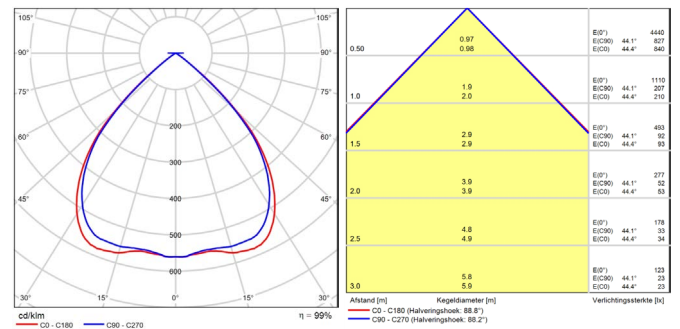


## PHOTOMETRIC SPECIFICATIONS

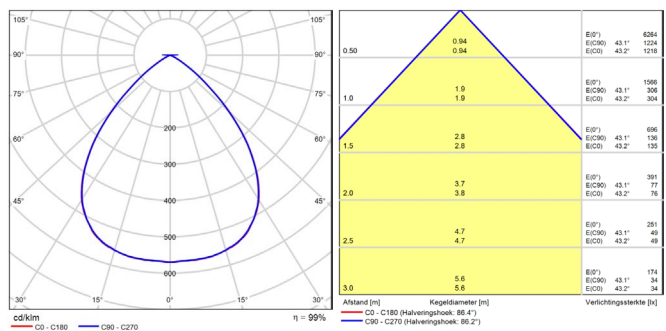
### LED DOWNLIGHT SPECTRE SR 13W



### LED DOWNLIGHT SPECTRE SR 18W



### LED DOWNLIGHT SPECTRE SR 25W



## PROJECT



## EXTRA INFORMATION

	250mA			350mA			450mA			500mA		
	W	lm		W	lm		W	lm		W	lm	
		3000K 4000K 5700K			3000K 4000K 5700K			3000K 4000K 5700K			3000K 4000K 5700K	
1000343-OS	10	1050 1150 1150		14	1450 1550 1550		-	-	-	-	-	-
1000350-OS	10	1150 1150 1150		14	1550 1550 1550		18	1950 2000 1950		20	2150 2200 2100	
1000367-OS	10	1150 1200 1200		14	1600 1650 1650		18	2050 2100 2050		20	2200 2300 2250	



1	2	mA
OFF	OFF	250
OFF	ON	350
ON	OFF	450
ON	ON	500